

ADDITIONAL MILL APPLICATIONS

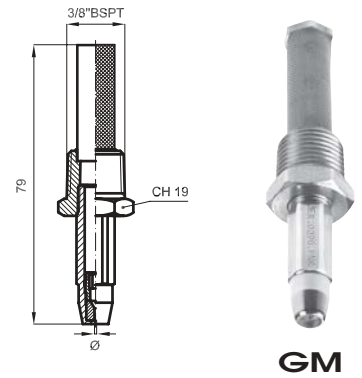
PAPER WEB TRIMMERS

GM

These nozzles provide a glass-rod like, sharp needle jet which cuts the side of your paper web in a sharp and clean profile. The brass nozzle body is fitted with a large surface stainless steel filter cartridge, for long operation before service is required. The brass nozzle tip contains a high quality orifice insert (Ruby or Hardened SS) for extended life at high pressure.

Materials

- Body and tip **B3** AISI 316 Stainless steel
- T1** Brass
- Orifice **C1** 420 Aisi Stainless steel, hardened
- F31** Ruby insert, on 316L body
- F5** Ceramic insert, on 316L body



Code	D1	Water capacity at different pressures (lpm) (bar)					
		3	5	10	15	20	
0°	GMA 0170 xx	0.40	0.17	0.21	0.31	0.38	0.43
	GMA 0290 xx	0.50	0.29	0.38	0.55	0.70	0.80
	GMA 0320 xx	0.60	0.32	0.41	0.57	0.72	0.83
	GMA 0570 xx	0.75	0.57	0.73	1.04	1.28	1.47
	GMA 0860 xx	0.90	0.86	1.17	1.66	2.04	2.35
	GMA 1100 xx	1.00	1.00	1.29	1.83	2.25	2.59
	GMA 1185 xx	1.25	1.85	2.40	3.40	4.20	4.80
	GMA 1270 xx	1.50	2.70	3.50	4.90	6.00	6.90