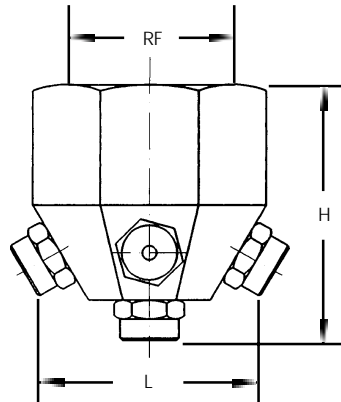
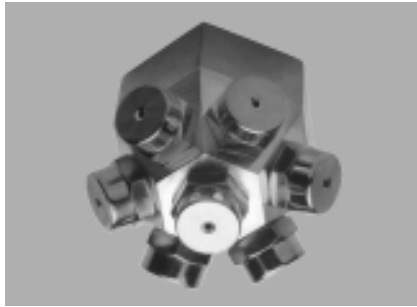


# C

## FULL-CONE NOZZLES

### WIDE ANGLE



C type multiple head full-cone nozzles produce fine sprays using hydraulic pressure at high flow rates.

The full-cone pattern results from the combination of seven small orifice full-cone nozzles integrated into a common body.

Since small orifices produce finer drops at a given pressure than do larger orifices, these multi-orifice nozzles produce a finer wide-angle spray than can be produced by one standard wide-angle, full-cone nozzle operating at the same pressure.

Connection: Female thread

Materials: Brass (T1)  
303 stainless steel (B1)  
316 stainless steel (B3)

Nozzle code				Flow rates (gpm) at various pressures (psi)							Spray pattern	
				20	40	60	80	100	125	150	H1	D1
●			1510xxSN	0.98	1.3	1.6	1.8	2.1	2.3	2.5	3" 5" 8" 11"	5" 6 1/2" 7 1/2" 8"
●			1780xxSN	1.5	2.0	2.4	2.8	3.1	3.4	3.7	3" 5" 8" 11"	8" 9" 10" 10 1/2"
●			2156XXSN	2.9	4.0	4.8	5.5	6.2	6.8	7.4	3" 5" 8" 11"	8 1/2" 10" 11" 11 1/2"
●			2262XXSN	4.8	6.7	8.1	9.2	10.3	11.3	12.4	3" 5" 8" 11"	9 1/2" 11" 12" 12 1/2"
	●		2526XXSN	9.8	13.5	16.4	18.9	21	23	25	3" 5" 8" 11"	11" 12 1/2" 13 1/2" 14"
	●		2666XXSN	12	17	20	23	25	28	30	3" 5" 8" 11"	12" 13 1/4" 14" 14 1/2"
	●	●	3128XXSN	24	34	41	47	52	57	62	3" 5" 8" 11"	13 3/4" 16" 17" 17 1/2"
	●	●	3156XXSN	29	40	48	55	62	68	74	3" 5" 8" 11"	13 3/4" 16" 17" 17 1/2"
	●	●	3165XXSN	31	43	52	59	66	74	79	3" 5" 8" 11"	13 3/4" 16" 17" 17 1/2"
	●	●	3207XXSN	39	53	64	74	83	92	100	3" 5" 8" 11"	13 3/4" 16" 17" 17 1/2"
		●	3234XXSN	44	60	72	82	91	100	110	3" 5" 8" 11"	14" 16 1/2" 17 1/2" 18"
		●	3260XXSN	48	67	81	92	103	113	124	3" 5" 8" 11"	14 1/2" 17" 18" 19"

CODE	ANGLE
CHL	40°
CJQ	50°
CKQ	60°

	RF	L	H
CHL	3/4"	2 1/16"	1 25/32"
CJQ	1"	2 11/16"	2 3/16"
CKQ	1 1/2"	4"	3"

#### SPRAY PATTERN

The columns on the right side of the table give the pattern coverage diameter (D1) as a function of distance (H1) from the nozzle.

