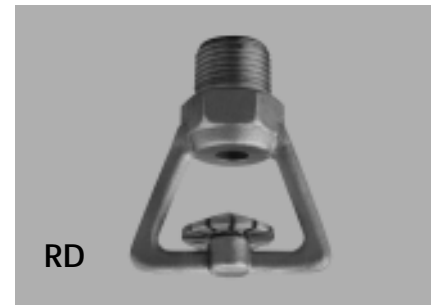
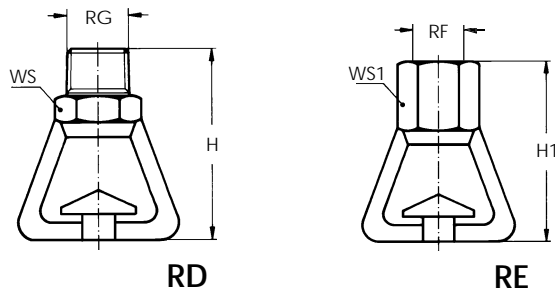


### HIGH FLOW RATE IN-LINE IMPACT



RD/RE nozzles are designed for very high flow rates and large surface coverage. They have excellent resistance to clogging.

One of the uses for this series of nozzles is in firefighting applications.

Connectors: RE (female thread)  
RD (male thread)

Materials: Brass (T1)  
Bronze (T5)  
316 stainless steel (B3) on request

150°	Nozzle code	RF/RG	D	Flow rates (gpm) at various pressures (psi)								Dimensions						
												WS	H	WS1	H1			
				10	20	30	40	60	80	100	150							
	RDY	REY																
	● 2290xxSN	1/2"	0.236	3.7	5.2	6.4	7.4	9.1	10.5	11.7	14.3	1"	29/16"					
	● 2340xxSN		0.256	4.3	6.1	7.5	8.7	10.6	12.3	13.7	16.8							
	● 2390xxSN		0.276	5.0	7.0	8.6	10.0	12.2	14.1	15.7	19.3							
	● 2450xxSN		0.285	5.7	8.1	9.9	11.5	14.1	16.2	18.2	22.2							
	● 2530xxSN		0.315	6.8	9.6	11.7	13.5	16.6	19.1	21.4	26.2							
	● 2690xxSN		0.354	8.8	12.5	15.3	17.6	21.6	24.9	27.8	34.1							
	● 2860xxSN		0.393	11.0	15.5	19.0	22.0	26.9	31.0	34.7	42.5							
	● 3104xxSN		0.433	13.3	18.8	23.0	26.5	32.5	37.5	42.0	51.4							
	● 2531xxSN	3/4"	0.315	6.8	9.6	11.7	13.5	16.6	19.1	21.4	26.2	19/32"	311/32"	119/32"	35/32"			
	● 2691xxSN		0.354	8.8	12.5	15.3	17.6	21.6	24.9	27.8	34.1							
	● 2861xxSN		0.393	11.0	15.5	19.0	22.0	26.9	31.0	34.7	42.5							
	● 3105xxSN		0.433	13.3	18.8	23.0	26.5	32.5	37.5	42.0	51.4							
	● 3125xxSN		0.472	16.2	22.9	28.1	32.4	39.7	45.8	51.3	62.8							
	● 3147xxSN		0.512	18.8	26.5	32.5	37.5	46.0	53.1	59.3	72.7							
	● 2862xxSN	1"	0.393	11.0	15.5	19.0	22.0	26.9	31.0	34.7	42.5	13/8"	335/64"	125/32"	311/32"			
	● 3126xxSN		0.472	16.2	22.9	28.1	32.4	39.7	45.8	51.3	62.8							
	● 3171xxSN		0.551	21.7	30.7	37.6	43.4	53.1	61.4	68.6	84.0							
	● 2863xxSN	1 1/4"	0.393	11.0	15.5	19.0	22.0	26.9	31.0	34.7	42.5			23/16"	459/64"			
	● 3127xxSN		0.472	16.2	22.9	28.1	32.4	39.7	45.8	51.3	62.8							
	● 3172xxSN		0.551	21.7	30.7	37.6	43.4	53.1	61.4	68.6	84.0							
	● 3227xxSN		0.630	29.0	41.0	50.2	57.9	71.0	81.9	91.6	112							

HYDRAULIC NOZZLES  
HOLLOW-CONE